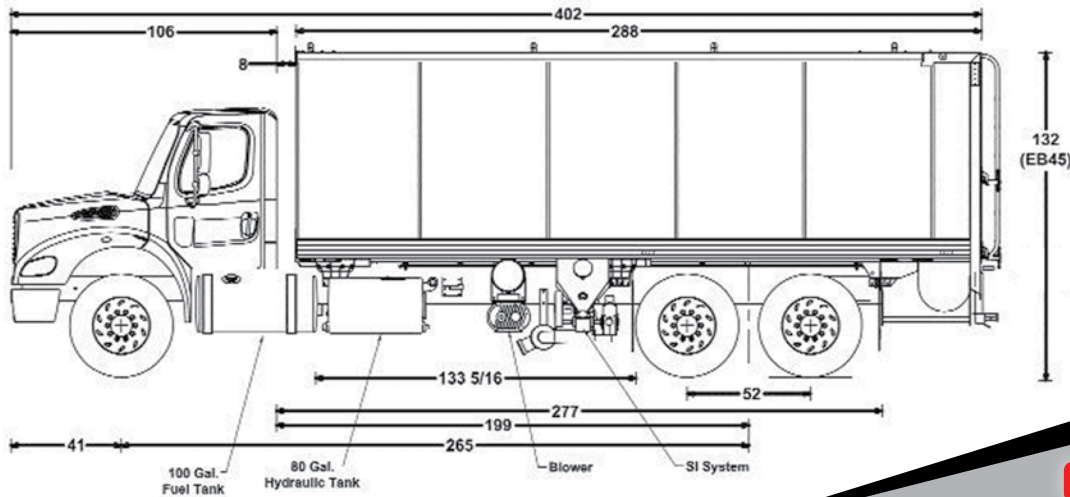


EB-45 DATA SHEET



OVERVIEW

Level Load Volume: 41.38 Yds³**
Controls: STW Control System
Fuel Tank Capacity: 80 Gal.
Weight: 24,500 Lbs.
Blower System: 1200 CFM @ 15 PSI
Hydraulic Tank Capacity: 60 Gal.
Width: 98-Inches

**Actual carrying capacity is variable and depends on cubic yard weight of materials; truck/trailer axle configurations; and Federal, State, Local truck/trailer weight limit regulations and laws. Owners and operators are responsible for loading and operating vehicle in compliance with Federal, State, and Local rules and regulations. Express Blower machines are designed for maximum performance and output. Performance may vary depending on type and quality of material used, operator proficiency, and job site requirements and specifications.

STANDARDS

Steel Framed Aluminum Box
Patented Feed System
Reversible Augers
Horizontal Load Leveler
Dual Drive Solid Belt Reversible Floor
Remote Radio Control
Dust Suppression System
Programmable Display
Proportional Hydraulic System
Shur-Lock Roll Tarp
Hydraulic Tailgate
Inspection Ladder
On-Site Training
Set of 4-Inch EB Proprietary Blower Hose
5 Foot Heavy Duty 4-Inch Discharge Hose
High Oil Temperature Shutdown System
Low Oil Shutdown System
E-Stop Button
Traffic Safety Kit

OPTIONS

Supplemental Injection System
Sup. Inj. Prep Kit For Future Installation
On-Board Water Tank System
Lincoln Automatic Lubrication System
Auxiliary Water Reel
Aluminum Storage Box
4-Corner Flood Lights
Safety Warning Lights
Thread Style Hose Ends
Custom Graphics

MATERIALS

•Blow up to 70 Yd³/Hour
•Mulches, Compost, Soil Blends, Wood Chips, some Aggregates

EB-45

Designed to integrate with a smaller chassis, the EB-45 is more economical to operate than larger models, yet still has ample payload to efficiently handle many different projects. It is also very maneuverable and is perfect for quickly spreading less dense organic materials.

CONTACT US



1275 Bailey Hill Rd
Eugene, OR 97402



541.434.7100
800.285.7227



www.expressblower.com
info@expressblower.com