



1-800-285-7227
expressmulcher.com

A Simplified Machine for Targeted Applications.



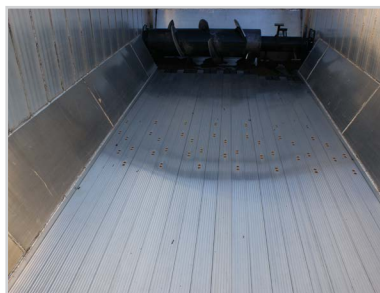
**Perfect for Landscape Mulching, Playground Chips, Animal Bedding,
Mud Control, and Filling Sediment Control Filter Sock**

ADD ANOTHER TOOL TO YOUR BUSINESS!

The Express Mulcher is designed to haul and spread large quantities of processed **mulches**, **wood chips**, and **lightweight compost**. Used properly and with the appropriate materials, it can blow **up to 60 cubic yards an hour**. Whether you are looking for an economical way to get into the mulch blowing business or simply want to augment an already existing one, the Express Mulcher is your solution.



HYDRAULIC HOSE REEL



HALLCO LIVE FLOOR®



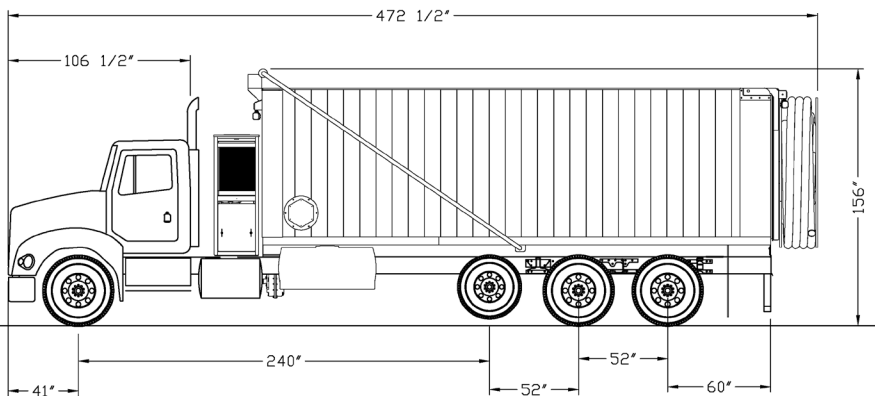
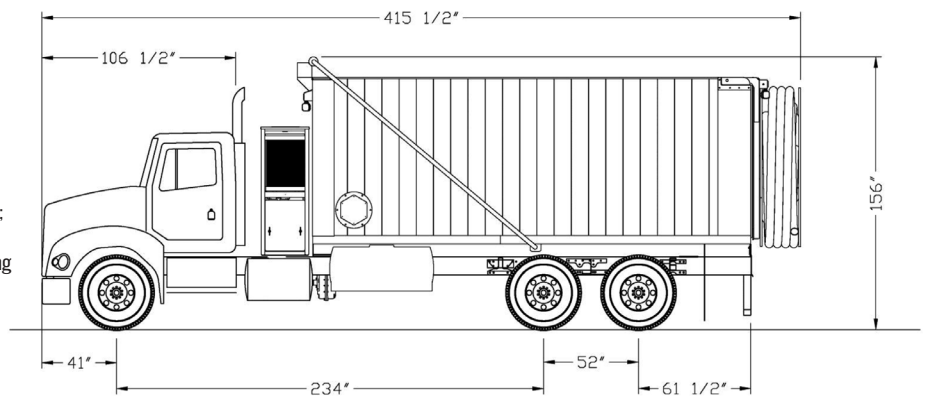
REMOTE LOAD CAMERA

Express Mulcher is a product of Express Blower, Inc., the inventor and leader in pneumatic blower equipment.

SPECIFICATIONS

Model SD (as shown in diagram at right): 40 Cubic Yard Level Load Capacity**

**Actual carrying capacity is variable and depends on cubic yard weight of materials; truck/trailer axle configurations; and Federal, State, Local truck/trailer weight limit regulations and laws. Owners and operators are responsible for loading and operating vehicle in compliance with Federal, State, and Local rules and regulations.



Model EX: 50 Cubic Yard Level Load Capacity**

DESIGN

Controls	Computerized Control System
Blower System	1150 CFM @ 16 PSI
Fuel Tank	90 Gallons (340 Liters)
Hydraulic Tank	100 Gallons (378 Liters)
Width	98 Inches (2.48 Meters)
Empty Weight (w/Peterbilt 348 Chassis)	SD: 31,200 Pounds (14,152 Kilograms) EX: 34,980 Pounds (15,867 Kilograms)

STANDARD FEATURES

Polished Aluminum Box	Aluminum Storage Box	Remote Radio Control
Reversible Hallico Live Floor®	Hydraulic Hose Reel	Roll-Rite Roll Tarp
Programmable Display	Remote Load Camera	Hydraulic Tailgate
Proportional Hydraulic System	Low Oil Level Shutdown System	High Oil Temp Shutdown System
Serrated Cross-Feed Auger	Onsite Training	300' of 4-Inch EB Blower Hose

OPTIONS

On-Board Water Tank System (\$5,000)	Creep Drive System (\$25,222)	5-Inch EB Proprietary Blower Hose (\$12.65/ft)
Graphics (ask for pricing)		

*Base prices do not include chassis or Federal Excise Tax (FET).

Express Mulcher is a trademark of Express Blower, Inc. ©Express Blower, Inc. 06242019