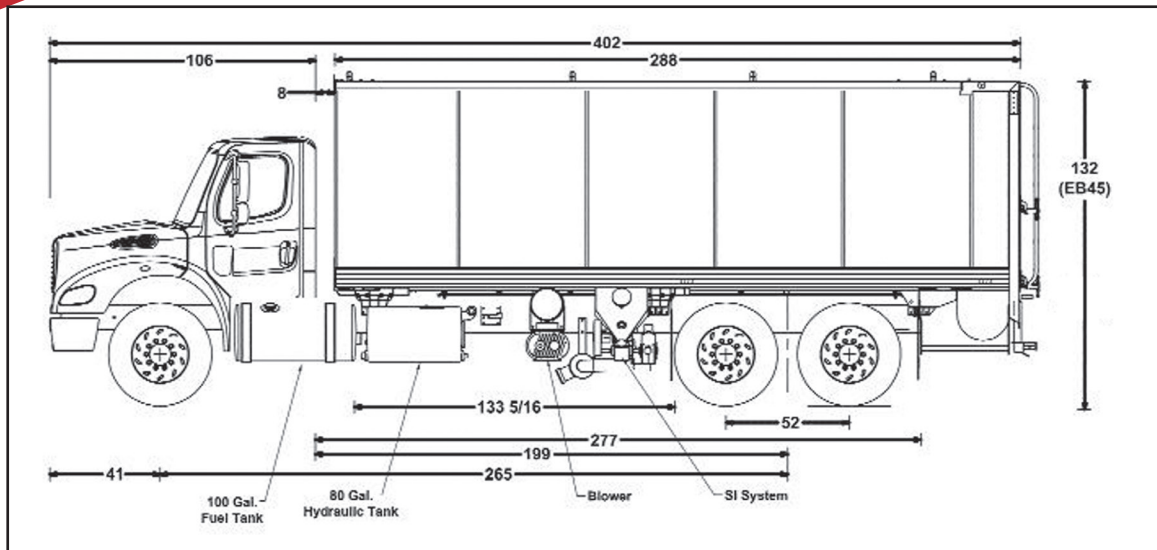


EB-45 DATA

PTO Powered



OVERVIEW

Designed to integrate with a smaller chassis, the EB-45 is more economical to operate than larger models, yet still has ample payload to efficiently handle many different projects. It is also very maneuverable and is perfect for quickly spreading less dense organic materials.

Level Load Volume: 41.38 Cubic Yards**
Controls: STW Control System
Fuel Tank Capacity: 80 Gallon
Weight (with chassis): 24,500 lbs.
Blower System: 1200 CFM @ 15 PSI
Hydraulic Tank Capacity: 60 Gallons

STANDARDS

- Steel Framed Aluminum Body
- Series 6 Feeder
- Programmable Display & Remote Radio Control
- Horizontal Load Leveler
- Dual Drive Solid Belt Reversible Floor
- Dust Suppression System
- Proportional Hydraulic System
- Hydraulic Tailgate
- LED Safety Warning Lights
- Shur-Lock Roll Tarp
- Inspection Ladder
- Full Set of 4-Inch EB Blower Hose
- 5-Ft Heavy Duty 4-Inch Discharge Hose
- High Oil Temperature Shutdown
- Low Oil Shutdown System
- E-Stop Buttons
- Traffic Safety Kit
- Onsite Operator Safety Training

OPTIONS

- Prep Kit Supplemental Injection System
- Supplemental Injection System
- On Board Water System
- Automatic Lube System
- 4-Corner Flood Lights
- 5-Ft Aluminum Toolbox
- Customized Graphics
- 5-Inch Blower Hose
- Thread Style Hose Ends

MATERIALS

- Compost, Mulches, Playground Chips, Soil Blends, Some Aggregates

CONTACT US

800.285.7227 or 541.434.7100
www.expressblower.com
info@expressblower.com

**Actual carrying capacity is variable and depends on cubic yard weight of materials; truck/trailer axle configurations; and Federal, State, Local truck/trailer weight limit regulations and laws. Express Blower machines are designed for maximum performance and output. Performance may vary depending on type and quality of material used, operator proficiency, and job site requirements and specifications.

The Supplemental Injection System is required for Terraseeding®. Standards & options are subject to change at any time. U.S. Patent #'s: 5556237, 6036406, 4979960, 6357971. Express Blower, Terraseeding, and Express Blower design logos are trademarks of Express Blower, Inc. ©2020 Express Blower, Inc. 10102023